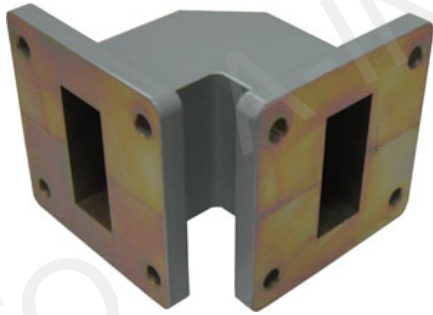
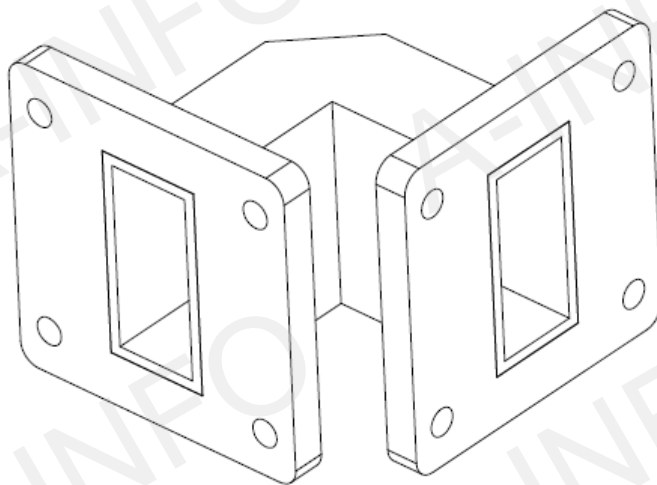
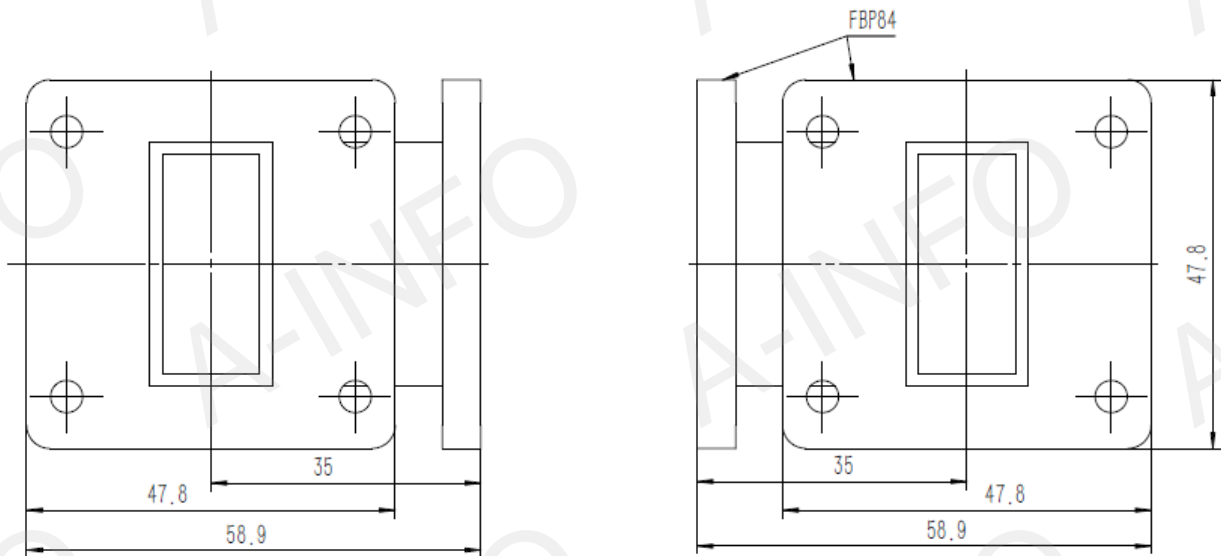


Technical Specification

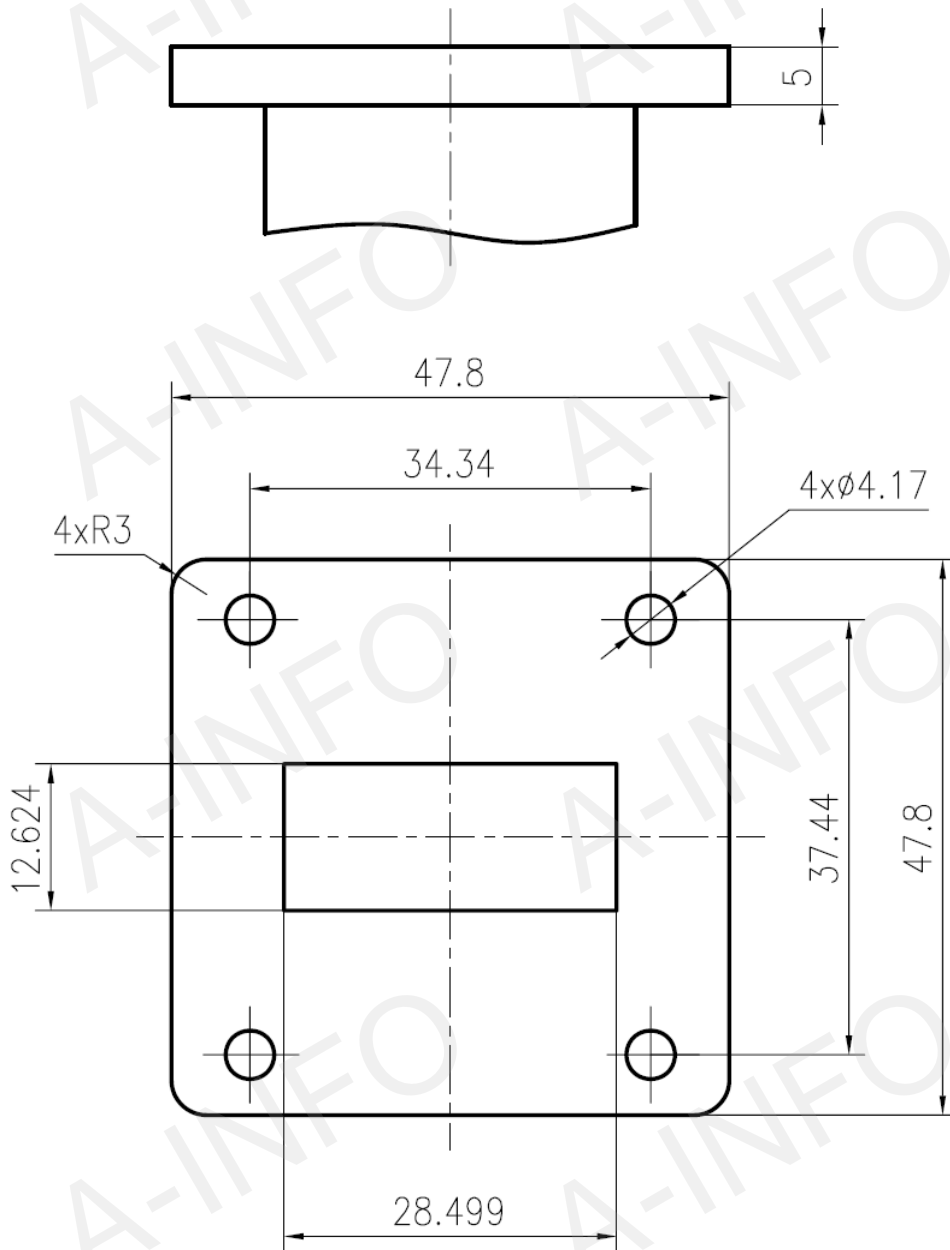


EIA WR	WR112
Frequency Range(GHz)	7.05 – 10.0
VSWR	1.15 max
Flange	FBP84
Material	Al
Size(mm)	58.9x58.9x47.8
Net Weight(Kg)	0.12 Around

Outline Drawing (Size: mm)



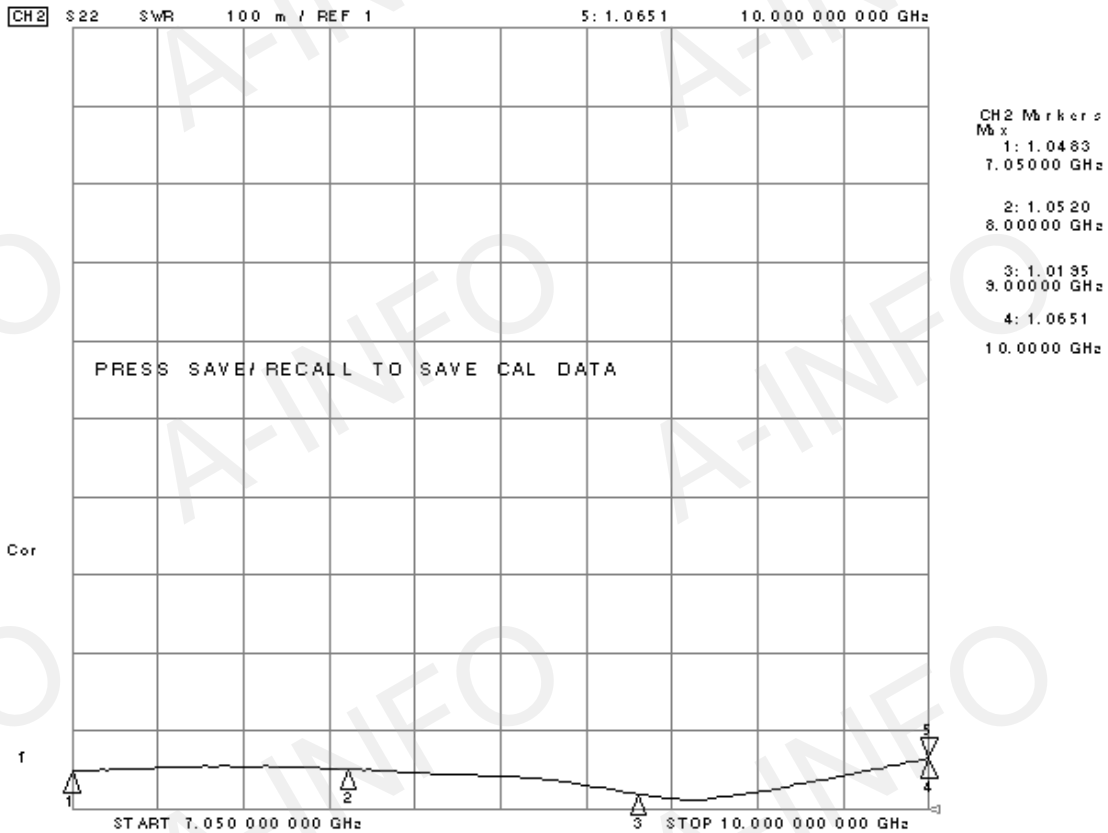
Flange Drawing (Size: mm)



FBP84

Test Results

VSWR



Insertion Loss

